

AUV Torpedo



Ultra-portable 30kg



Long range 5km



Compact Ø300mm



Multi sensors



SUBSEA TECH

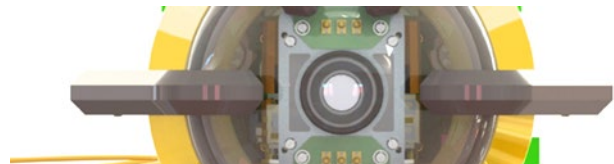
Marine and Underwater Technologies

The Torpedo AUV

is an autonomous underwater vehicle specially designed for the internal inspections of pipelines and tunnels at distances up to 5000m.

The vehicle is equipped with a front HD color video camera with integrated LED lighting and can be also fitted with various other sensors such as multibeam sonar (acoustic imaging) and acoustic profiler.

It is connected to the surface through a 2.1 mm diameter Dyneema cable, allowing its recovery and the measurement of the covered distance by an odometer located on the electrical winch.



VIDEO CAMERA

The Torpedo AUV embeds a 720p high sensitivity color camera, with integrated LED lighting.



PROPULSION

The 2 longitudinal thrusters and the embedded batteries allow the Torpedo AUV travelling up to 5km distance inside pipes.



ODOMETER

The electrical winch holds 5km of 2.1 mm Dyneema cable and is fitted with a digital odometer to measure the distance covered by Torpedo.

TECHNICAL SPECIFICATIONS

MAIN FEATURES

Depth rating	50m
AUV dimensions	L 1424mm x l 310mm x H 310mm
AUV weight	30kg in air / 5kg in water (adjustable)
Speed	0.5 to 0.9 knots

PROPULSION AND POWER SUPPLY

Thrusters	2 Blue Robotics T200 thrusters (2x5.1kgf @350W)
Power supply	18.5V 5S Li-ion embedded batteries

SYSTEM CONTROL

Power switch	Magnetic key ON/OFF function
Remote control	Not possible
Odometer and data control	Linux PC with dedicated software
Data	Automatic record and timestamp, but no real-time visualisation

INTEGRATED SENSORS

Camera	HD 960p/720p 1.3MP high-sensitivity
Lighting	Integrated LED lighting with intensity control
IMU	PU9250 0.1° accuracy (attitude)
Depth	MS5837 0.1m accuracy
Odometer	Located on the winch
Clock	Sensors and odometer synchronization. All records are timestamped.

CABLE

Type	Towing cable for recovery and odometer
Material	Dyneema fiber with polyamid coat
Dimensions	Ø 2.1mm
Length	5 000 meters
Breaking strength	340 daN

PACKAGING

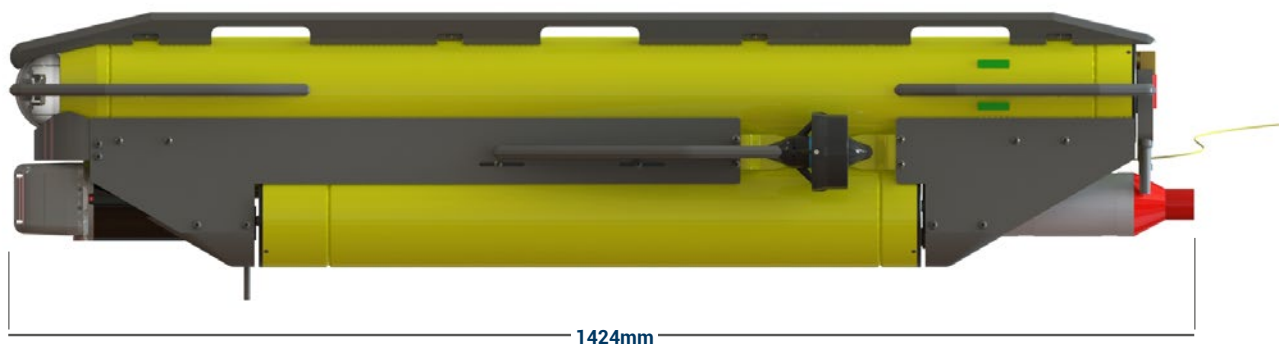
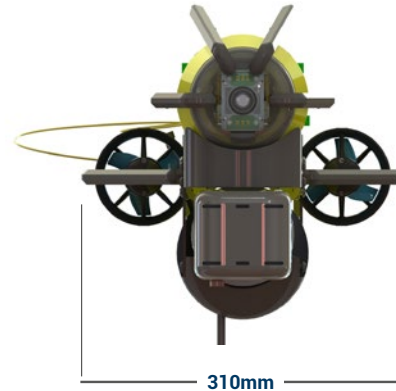
Case 1	L 1540mm x l 280mm x H 490mm (AUV)
Case 2	L 820mm x l 780 mm x H 810mm (winch)
Total weight	166 kg

MAINTENANCE AND WARRANTY

Documentation	Digital operator manual
Maintenance	No specific maintenance needed
Warranty	1 year parts and labor

OPTIONS

Acoustic cameras	2D Imaging sonar BlueView M900
Profiling sonar	Imagenex 831A



www.subsea-tech.com



st.sales@subsea-tech.com



+33 (0) 491 517 671



SubseaTech



SubseaTech_



subsea-tech