



MANUAL REELS for Mini-ROV

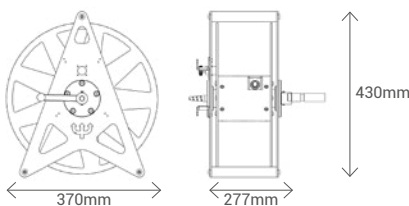
Specially adapted to our Mini-ROV range, (Guardian Mini-ROV and Observer Mini-ROV), it simplifies umbilical winding and unwinding, saving space and time.

Stored in a dedicated transport case (optional), the complete system features intuitive handling and quick set-up for immediate operation of Subsea Tech Mini-ROVs.

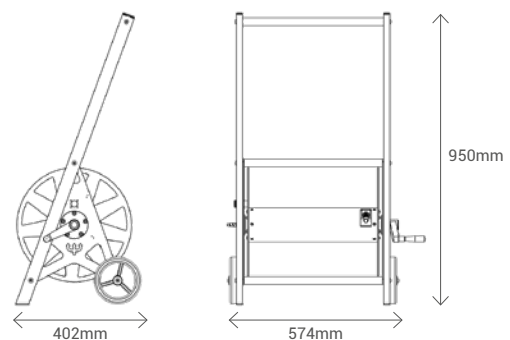
TECHNICAL SPECIFICATIONS

Weight without cable	4,5 kg
Handle	Retractable
Possible lengths of 7.9mm neutral cable	170m, 300m 600m
Possible lengths of 6.3mm flowing cable	300m, 450m 900m

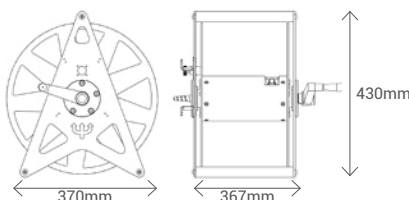
170m / 300m



600m / 900m




300m / 450m



WWW.SUBSEA-TECH.COM

 st.sales@subsea-tech.com

 +33 (0) 491 517 671

 [subsea-tech](https://www.linkedin.com/company/subsea-tech)